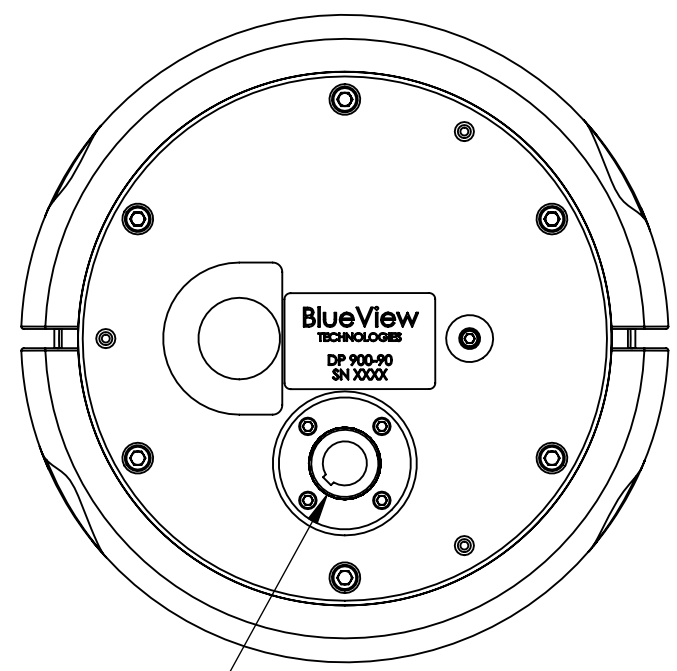
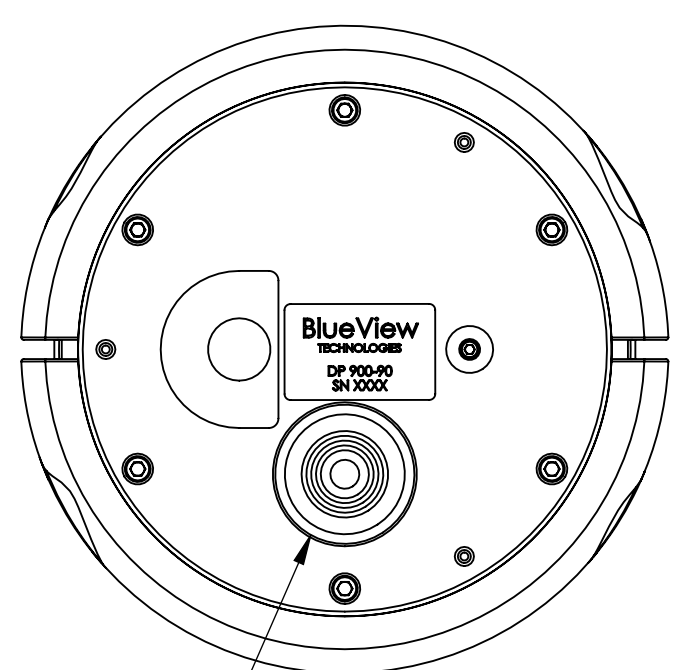
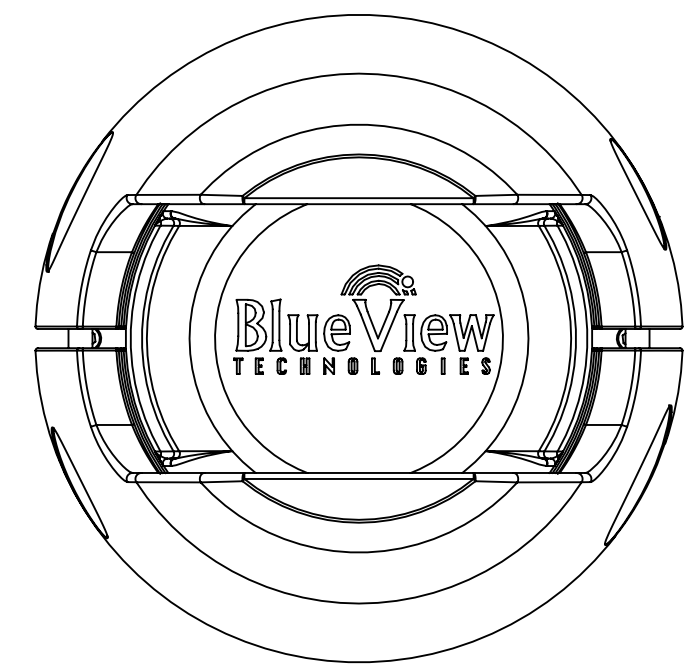
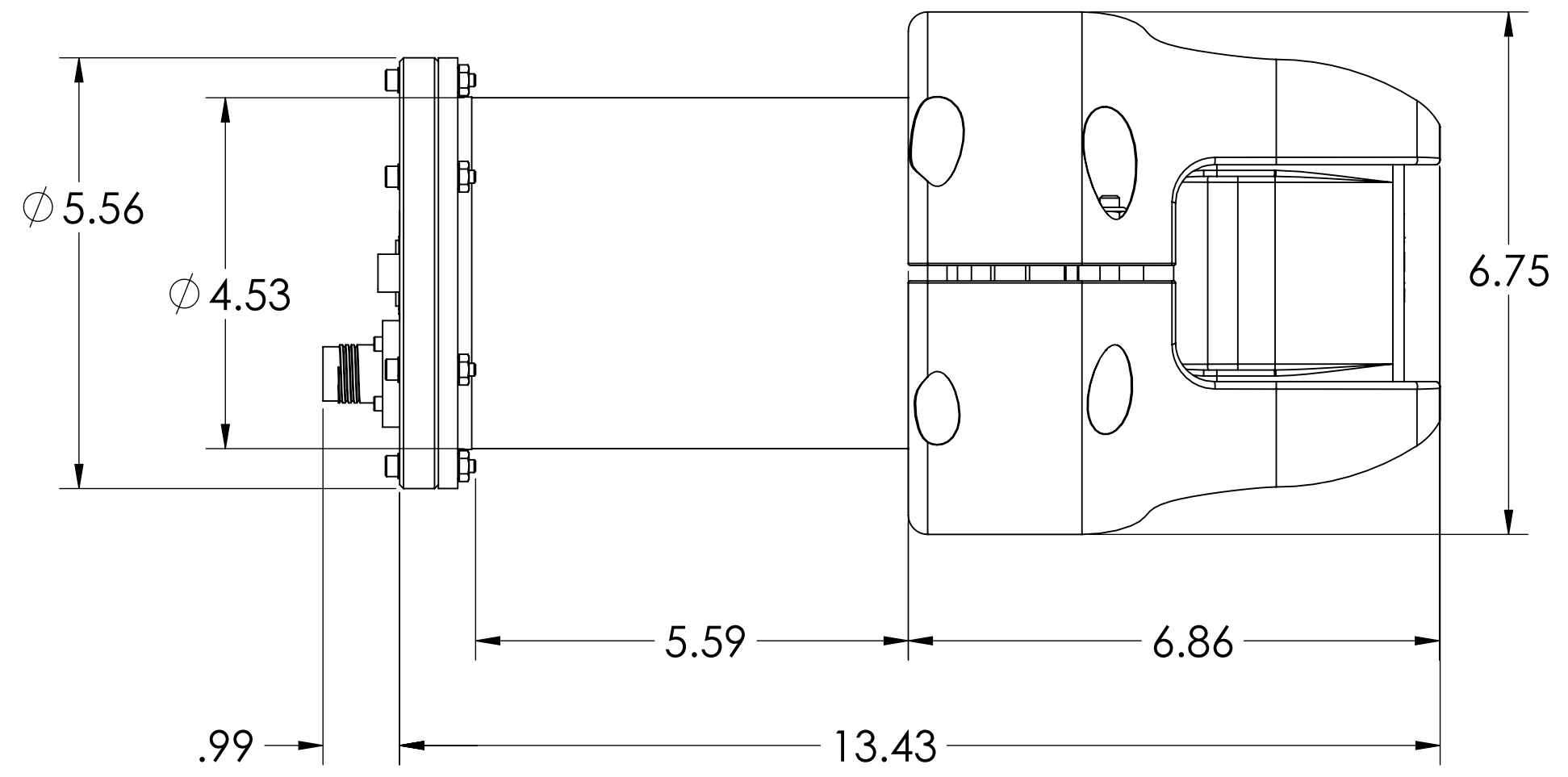


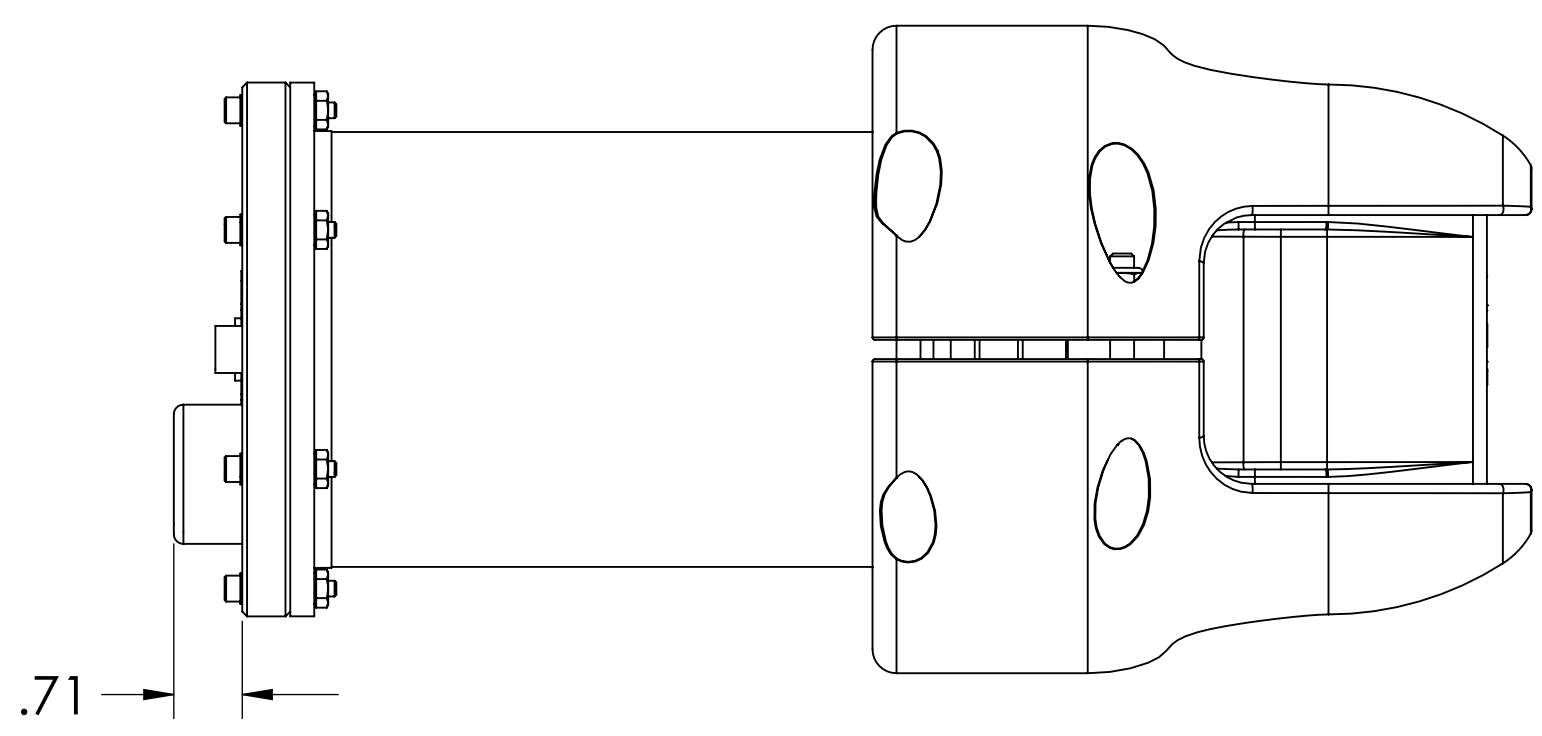
REVISIONS				
ZONE	REV.	DESCRIPTION	DATE	APPROVED
	-		10/24/2008	
	A	ADDED GUARD TO MODEL.	2/26/2009	BRT



IMPULSE CONNECTOR
MSSJ-7-FCR



SCHILLING SEANET CONNECTOR
101-5260



PROPRIETARY AND BUSINESS CONFIDENTIAL
ALL RIGHT RESERVED 2003-2008 ©, BLUEVIEW TECHNOLOGIES, INC

THE INFORMATION CONTAINED IN THIS DRAWING IS THE SOLE PROPERTY OF BLUEVIEW TECHNOLOGIES. ANY REPRODUCTION IN PART OR AS A WHOLE WITHOUT THE WRITTEN PERMISSION OF BLUEVIEW TECHNOLOGIES IS PROHIBITED.

UNLESS OTHERWISE SPECIFIED:		NAME	DATE	BLUEVIEW TECHNOLOGIES 2151 N NORTHLAKE WAY SUITE 101 SEATTLE, WASHINGTON 98103	
DIMENSIONS ARE IN INCHES		DRAWN		TITLE: OUTLINE DRAWING DP900-90	
TOLERANCES:	SURFACE:	CHECKED		SIZE DWG. NO. REV	
ANGULAR: ±1		ENG APPR.		C 201807-00	A
.XX ±.10		MFG APPR.		SCALE: 1:2 WEIGHT: SHEET 1 OF 1	
.XXX ±.050		Q.A.			
MATERIAL	SEE NOTES	COMMENTS:			
FINISH	SEE NOTES				
DO NOT SCALE DRAWING					