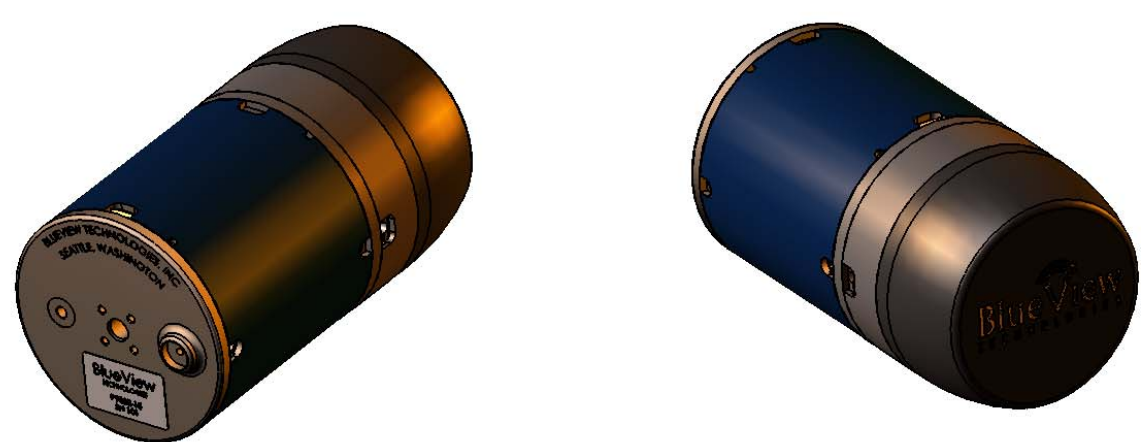
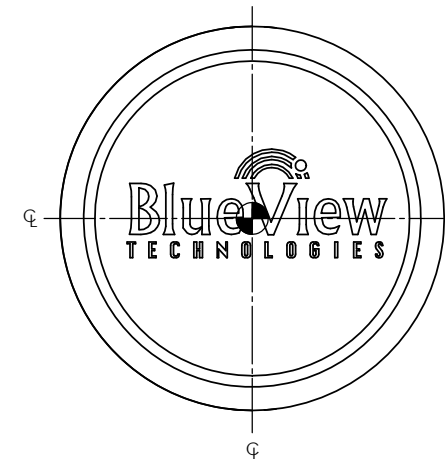
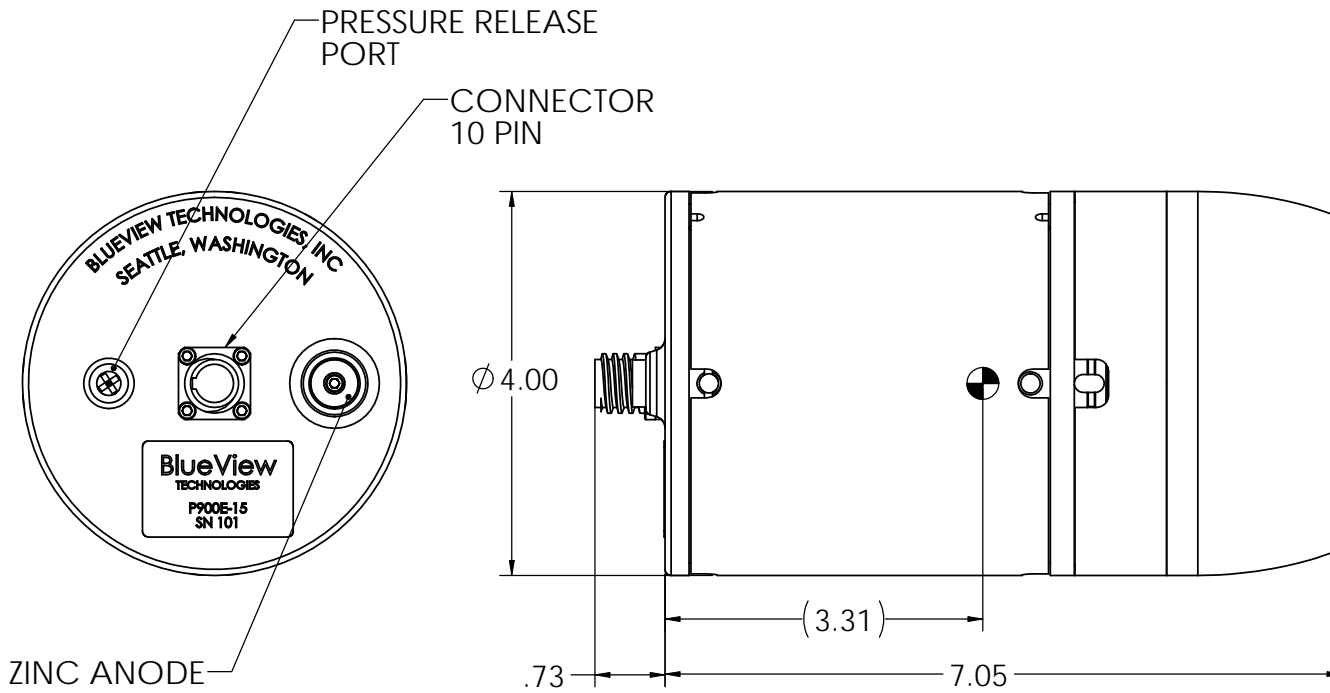


NOTES: UNLESS OTHERWISE SPECIFIED

REVISIONS				
ZONE	REV.	DESCRIPTION	DATE	APPROVED
	-	RELEASED	10/24/08	J. GRAY
	A	ADDED CENTER OF GRAVITY REFERENCE DIMENSIONS	11/10/2008	J. GRAY



PROPRIETARY AND BUSINESS CONFIDENTIAL
 ALL RIGHT RESERVED 2003-2008 ©, BLUEVIEW TECHNOLOGIES, INC

THE INFORMATION CONTAINED IN THIS DRAWING IS THE SOLE PROPERTY OF BLUEVIEW TECHNOLOGIES. ANY REPRODUCTION IN PART OR AS A WHOLE WITHOUT THE WRITTEN PERMISSION OF BLUEVIEW TECHNOLOGIES IS PROHIBITED.

UNLESS OTHERWISE SPECIFIED:		NAME	DATE	BLUEVIEW TECHNOLOGIES 2101 N. NORTHLAKE WAY SUITE 101 SEATTLE, WASHINGTON 98103	
DIMENSIONS ARE IN INCHES	DRAWN			TITLE: P900 SONAR MODULE OUTLINE	
TOLERANCES: ANGULAR: ± 1 XX ± .10 XXX ± .050	SURFACE: CHECKED ENG APPR MFG APPR D.A. COMMENTS:			SIZE	DWG. NO.
	SEE NOTES			C	201837-00
FINISH	SEE NOTES			REV	A+
DO NOT SCALE DRAWING				SCALE: 1:1	WEIGHT: SHEET 1 OF 1