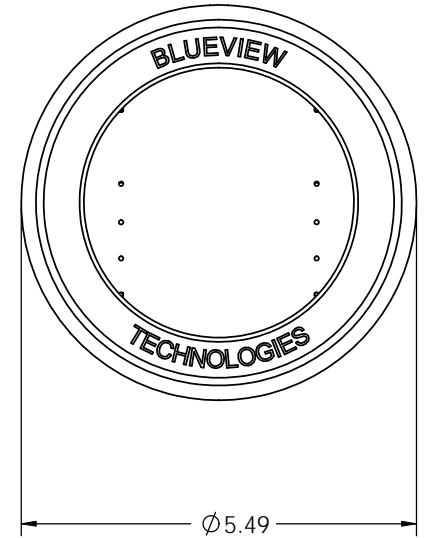
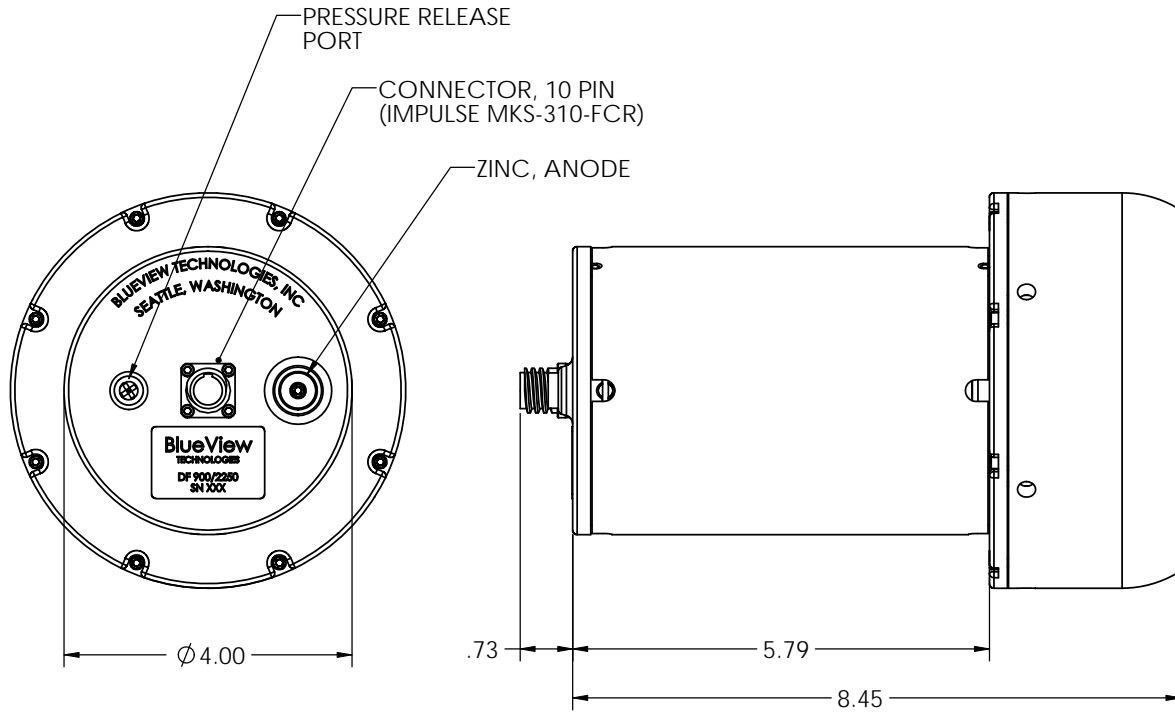


NOTES: UNLESS OTHERWISE SPECIFIED

REVISIONS				
ZONE	REV.	DESCRIPTION	DATE	APPROVED
	-	RELEASED TO PRODUCTION	5/28/2008	J. GRAY
	A	UPDATED TO SHOW FLOODED NOSE	9/9/2008	J. GRAY



ALL RIGHT RESERVED 2003-2006 ©, BLUEVIEW TECHNOLOGIES, INC

THE INFORMATION CONTAINED IN THIS DRAWING IS THE SOLE PROPERTY OF BLUEVIEW TECHNOLOGIES.

UNLESS OTHERWISE SPECIFIED:		NAME	DATE	BLUEVIEW TECHNOLOGIES 3518 REMOND AVENUE, SUITE 270 SEATTLE, WASHINGTON 98103	
DIMENSIONS ARE IN INCHES	DRAWN			TITLE: DF-900/2250 SONAR OUTLINE DRAWING	
TOLERANCES: ANGULAR: ±2 TWO PLACE DECIMAL ±03 THREE PLACE DECIMAL ±015	CHECKED			SIZE DWG. NO. REV C 201865-00 A+	
MATERIAL	ENG APPR			SCALE: 3:4 WEIGHT: SHEET 1 OF 1	
SEE NOTES	MFG APPR				
FINISH	D/A				
DO NOT SCALE DRAWING	COMMENTS				