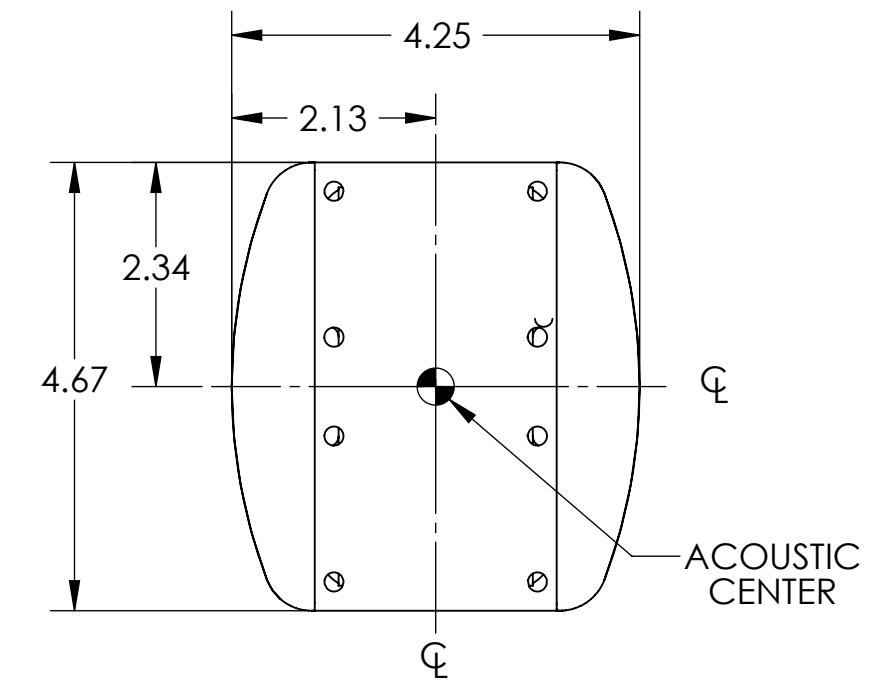
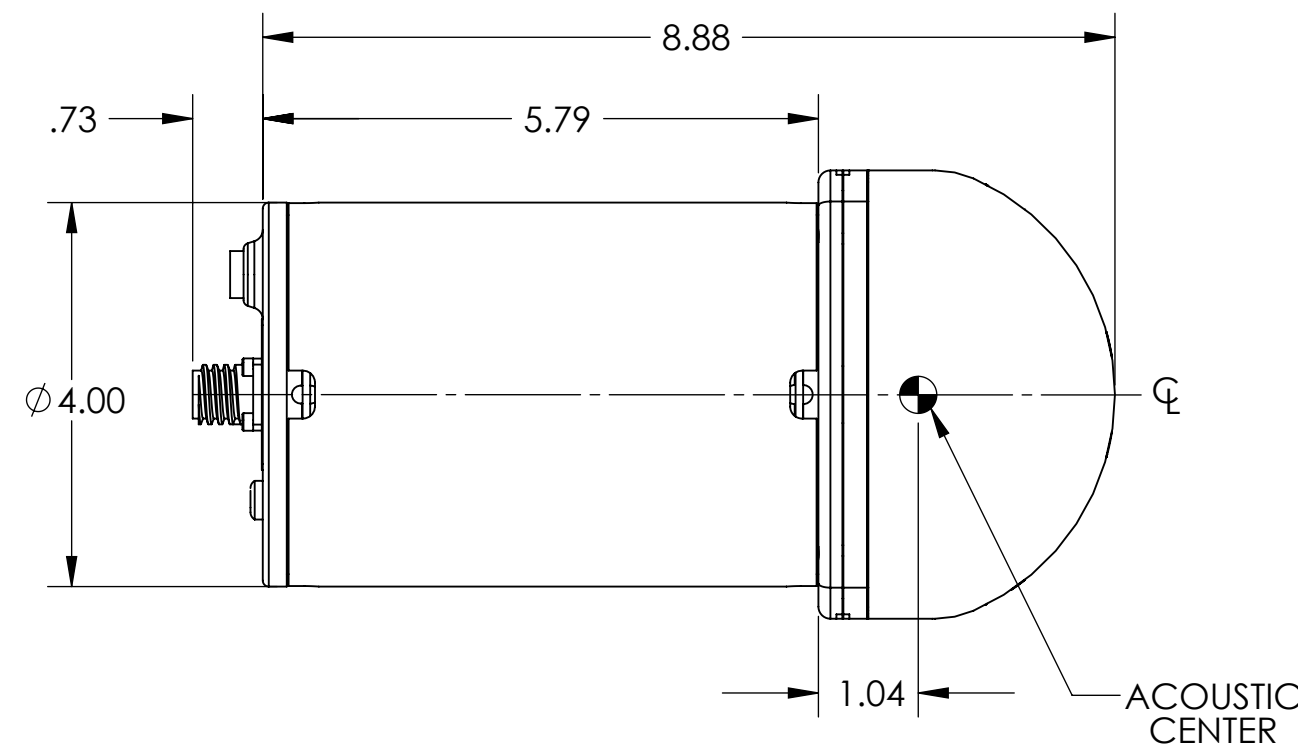
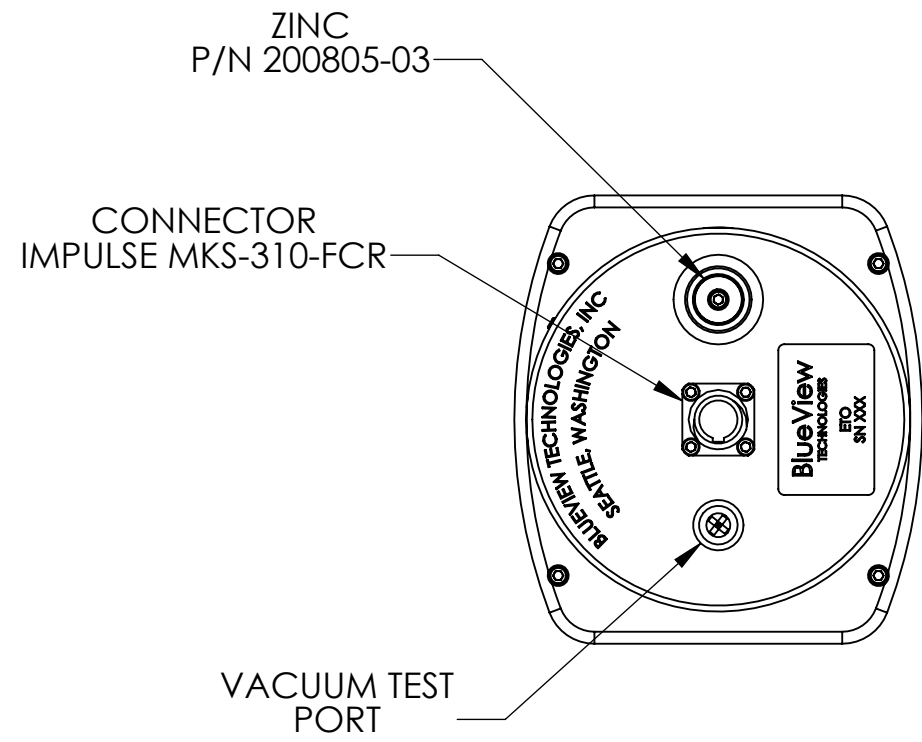
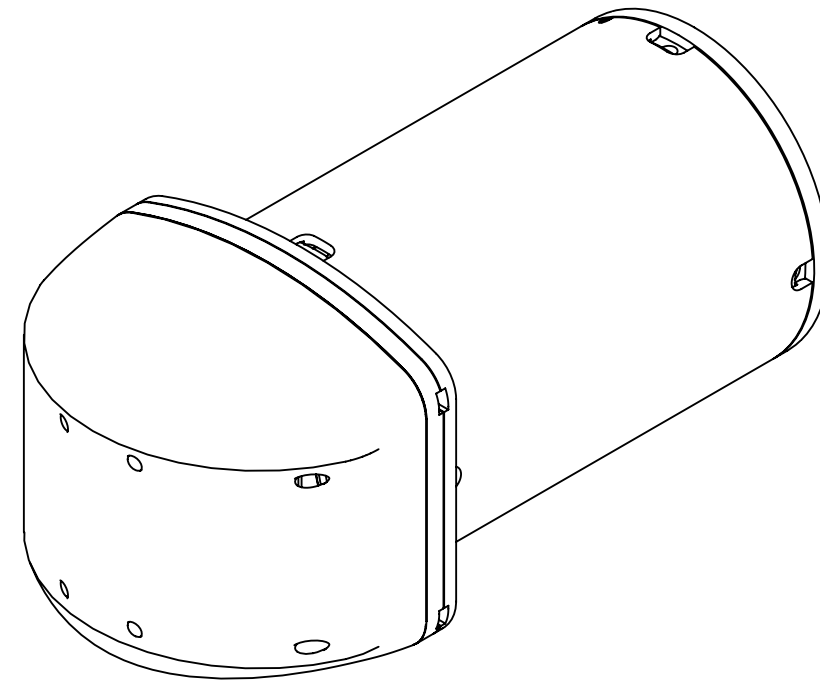


NOTES: UNLESS OTHERWISE SPECIFIED

REVISIONS				
ZONE	REV.	DESCRIPTION	DATE	APPROVED
	X0	INITIAL RELEASE.	9/22/2008	B. TWEHUES
	XA	REORIENTED VIEWS. ADDED ACOUSTIC CENTER INFO.	5/21/2009	B. TWEHUES



PROPRIETARY AND BUSINESS CONFIDENTIAL
ALL RIGHT RESERVED 2003-2008 ©, BLUEVIEW TECHNOLOGIES, INC

THE INFORMATION CONTAINED IN THIS DRAWING IS THE SOLE PROPERTY OF BLUEVIEW TECHNOLOGIES. ANY REPRODUCTION IN PART OR AS A WHOLE WITHOUT THE WRITTEN PERMISSION OF BLUEVIEW TECHNOLOGIES IS PROHIBITED.

UNLESS OTHERWISE SPECIFIED:		NAME	DATE	BLUEVIEW TECHNOLOGIES 2151 N NORTHLAKE WAY SUITE 101 SEATTLE, WASHINGTON 98103
DIMENSIONS ARE IN INCHES		DRAWN		
TOLERANCES:	SURFACE:	CHECKED		TITLE: OUTLINE & INSTALLATION DRAWING, MB2250
ANGULAR: ± 1	√ OR BETTER	ENG APPR.		
.XX ± .01		MFG APPR.		
.XXX ± .005		Q.A.		
MATERIAL	SEE NOTES	COMMENTS:		SIZE DWG. NO. REV
FINISH	SEE NOTES			C 202465-00 XA
DO NOT SCALE DRAWING				SCALE: 1:2 WEIGHT: SHEET 1 OF 1