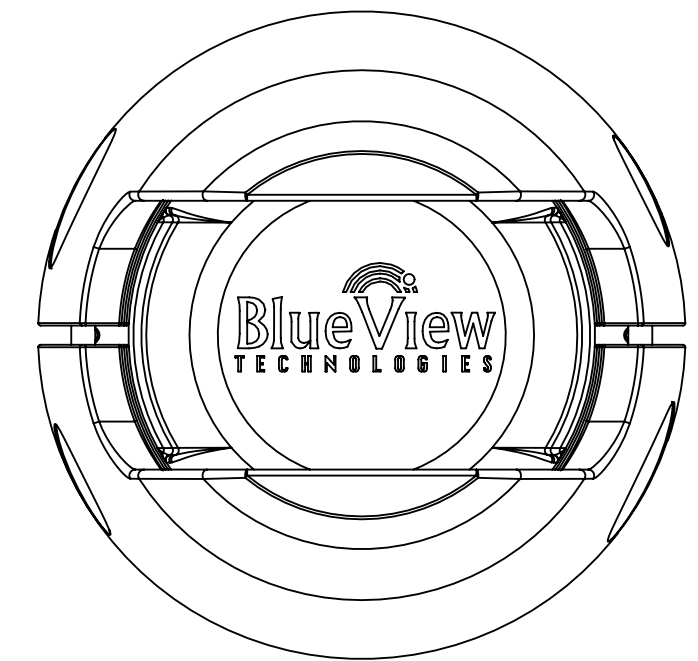
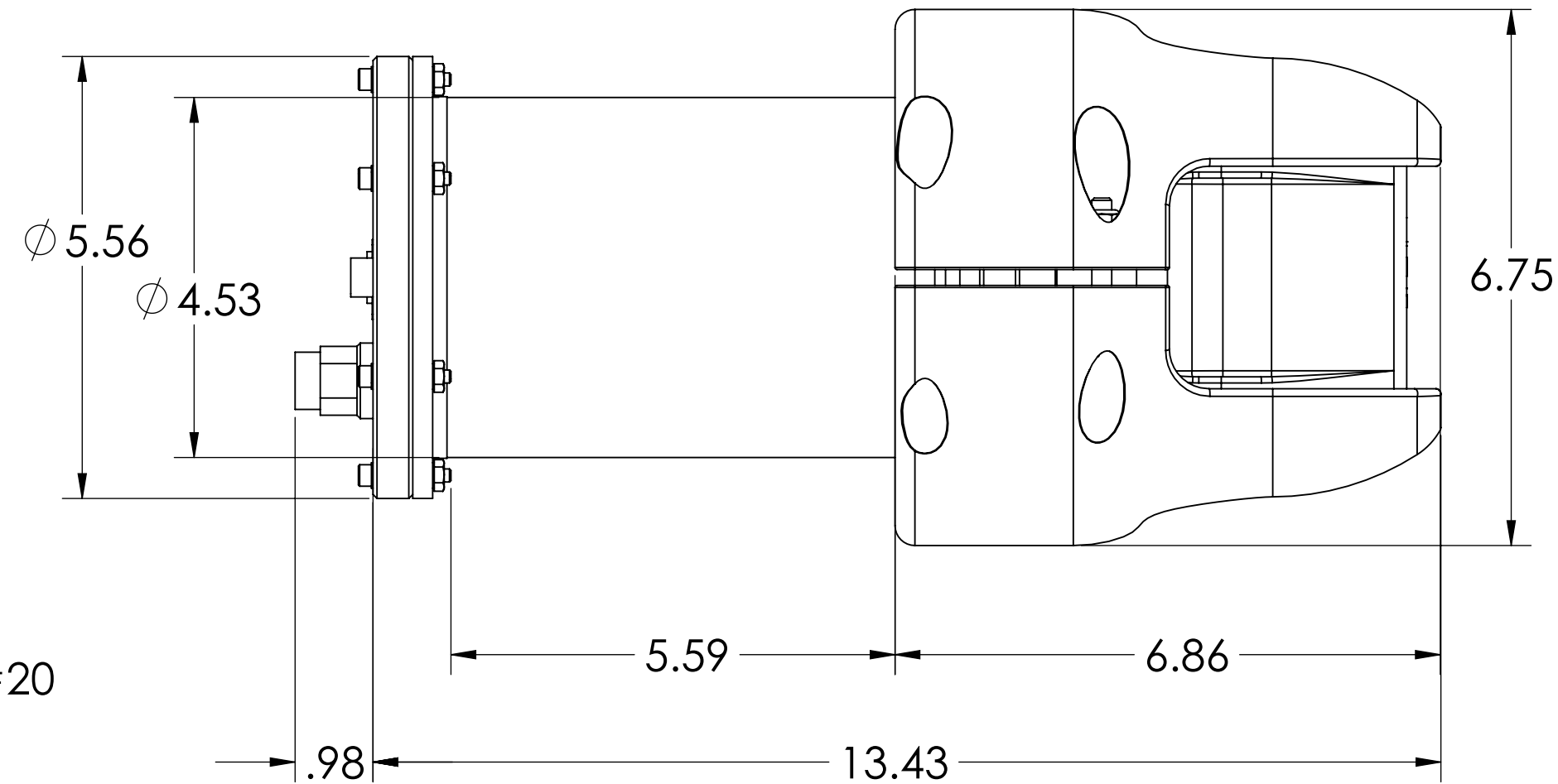
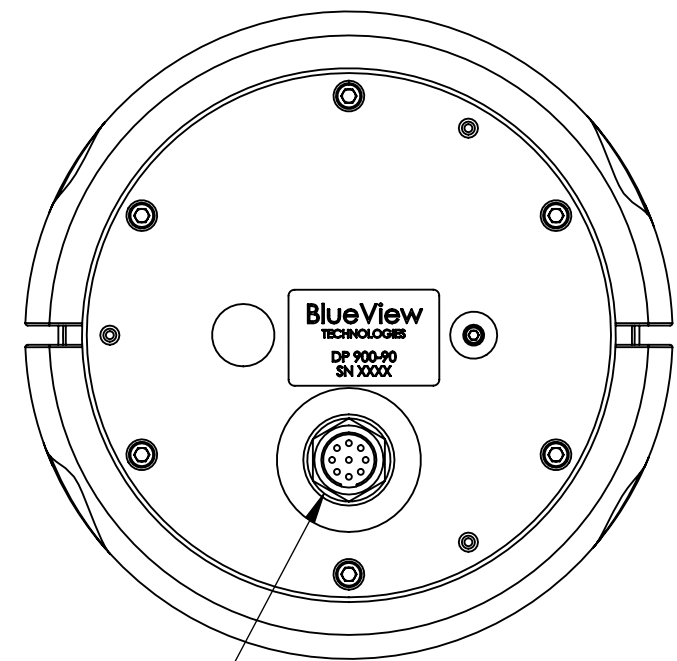
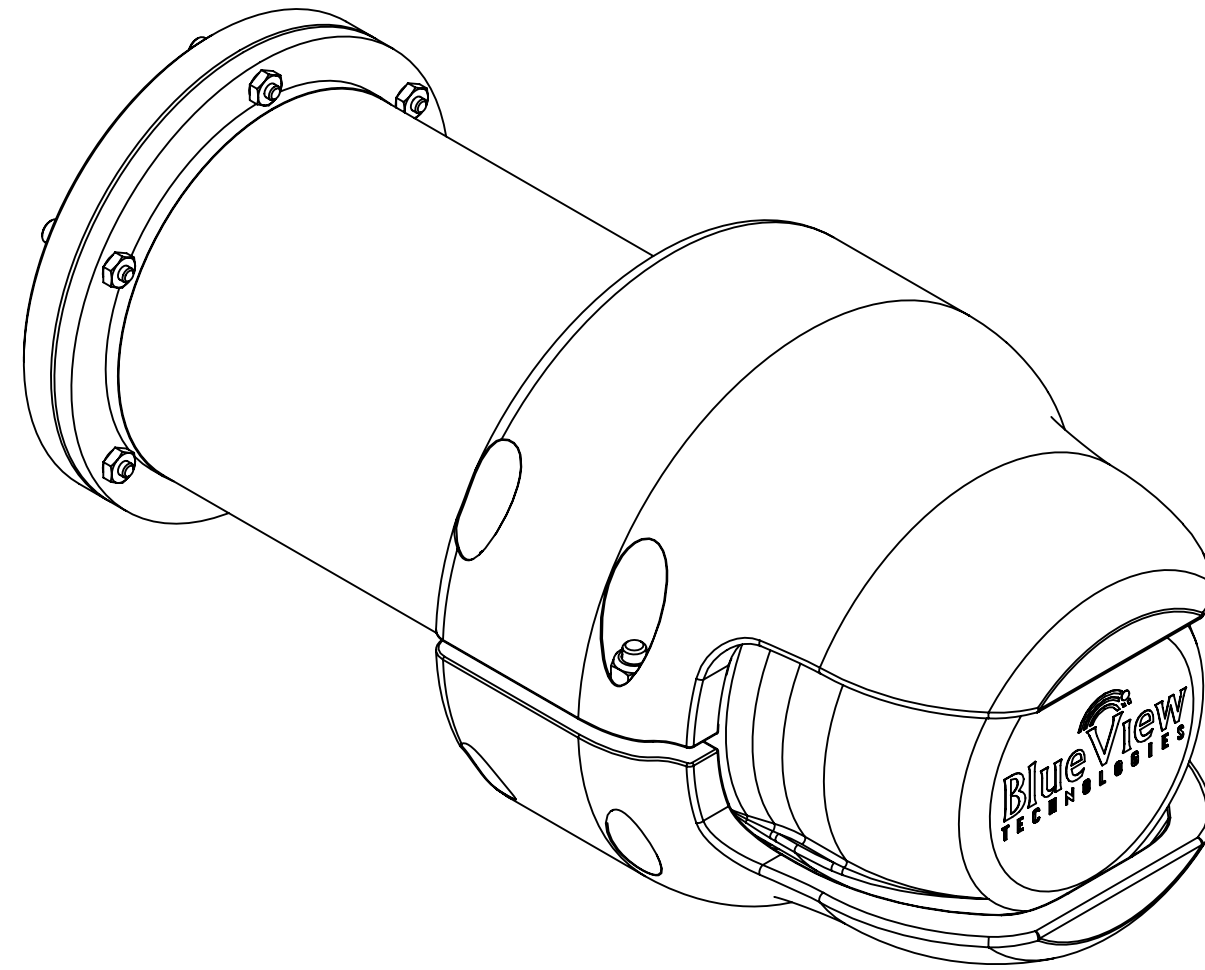


NOTES: UNLESS OTHERWISE SPECIFIED

REVISIONS				
ZONE	REV.	DESCRIPTION	DATE	APPROVED
	X0	INITIAL RELEASE.	6/5/2009	B. TWEHUES



PROPRIETARY AND BUSINESS CONFIDENTIAL
ALL RIGHT RESERVED 2003-2008 ©, BLUEVIEW TECHNOLOGIES, INC

THE INFORMATION CONTAINED IN THIS DRAWING IS THE SOLE PROPERTY OF BLUEVIEW TECHNOLOGIES. ANY REPRODUCTION IN PART OR AS A WHOLE WITHOUT THE WRITTEN PERMISSION OF BLUEVIEW TECHNOLOGIES IS PROHIBITED.

UNLESS OTHERWISE SPECIFIED:		NAME	DATE	BLUEVIEW TECHNOLOGIES 2151 N NORTHLAKE WAY SUITE 101 SEATTLE, WASHINGTON 98103	
DIMENSIONS ARE IN INCHES	DRAWN			TITLE:	
TOLERANCES: ANGULAR: ± 1 .XX ± .01 .XXX ± .005	CHECKED			OUTLINE AND INSTALLATION DRAWING, DP900-90-SC	
SURFACE: ✓ OR BETTER	ENG APPR.			SIZE	DWG. NO.
MATERIAL	MFG APPR.			C	202801-00
SEE NOTES	Q.A.			REV	X0
FINISH	COMMENTS:			SCALE: 1:2	WEIGHT:
DO NOT SCALE DRAWING					SHEET 1 OF 1