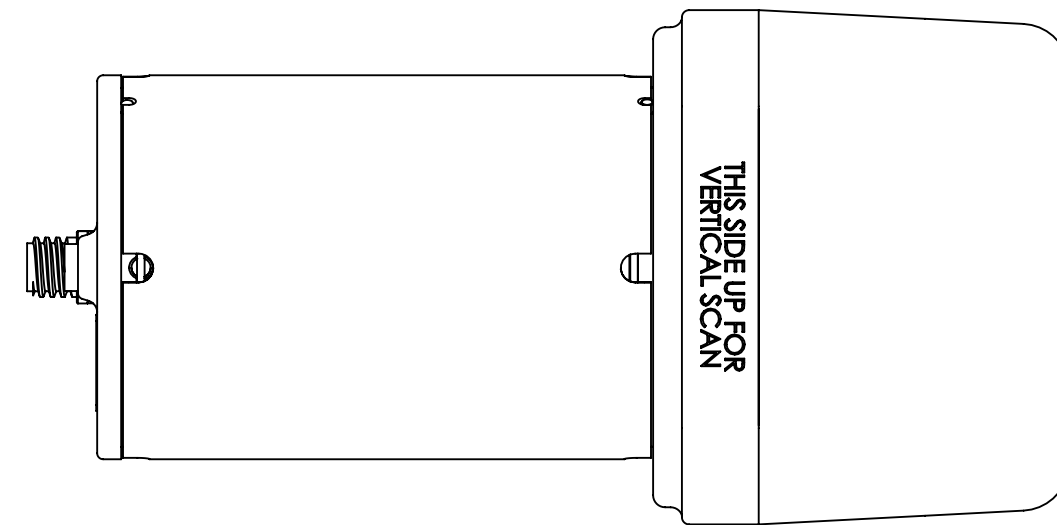
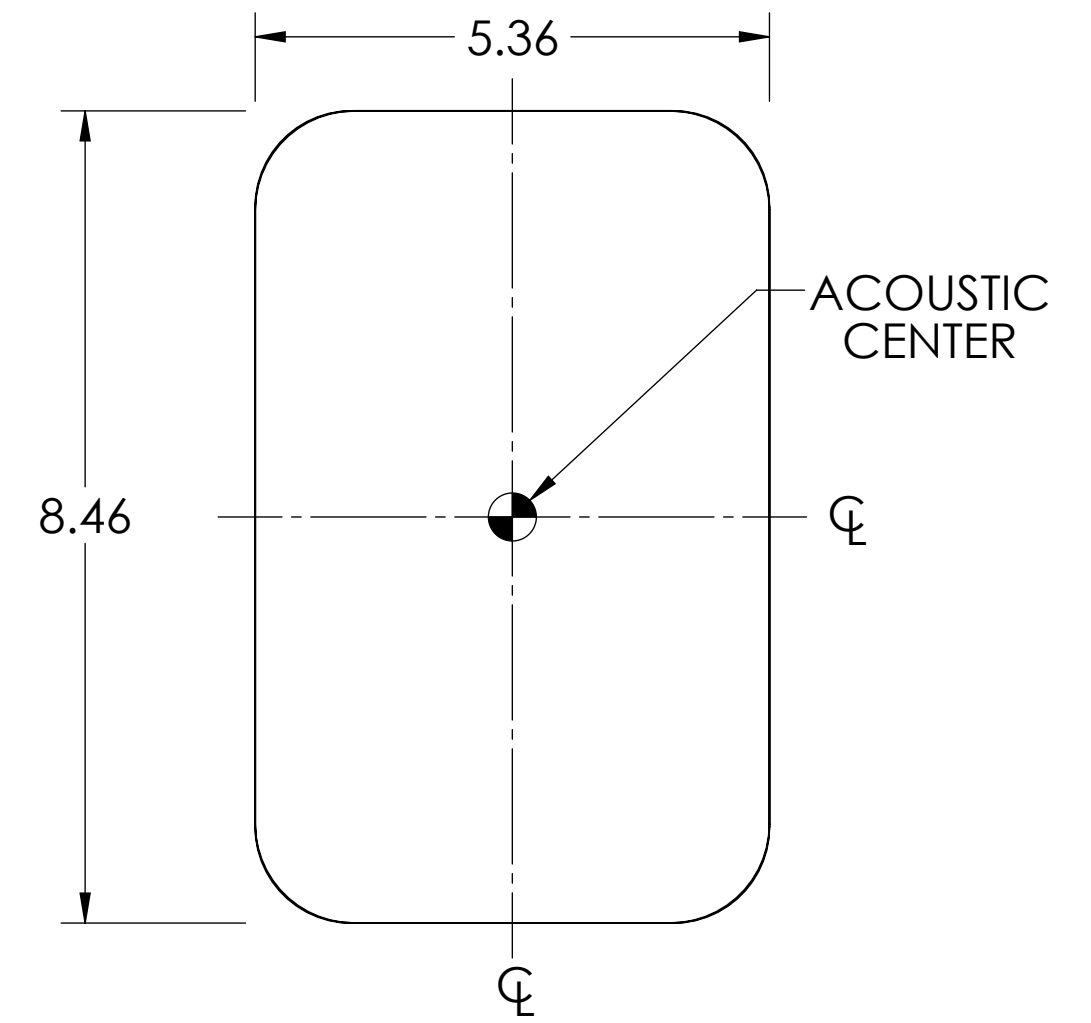
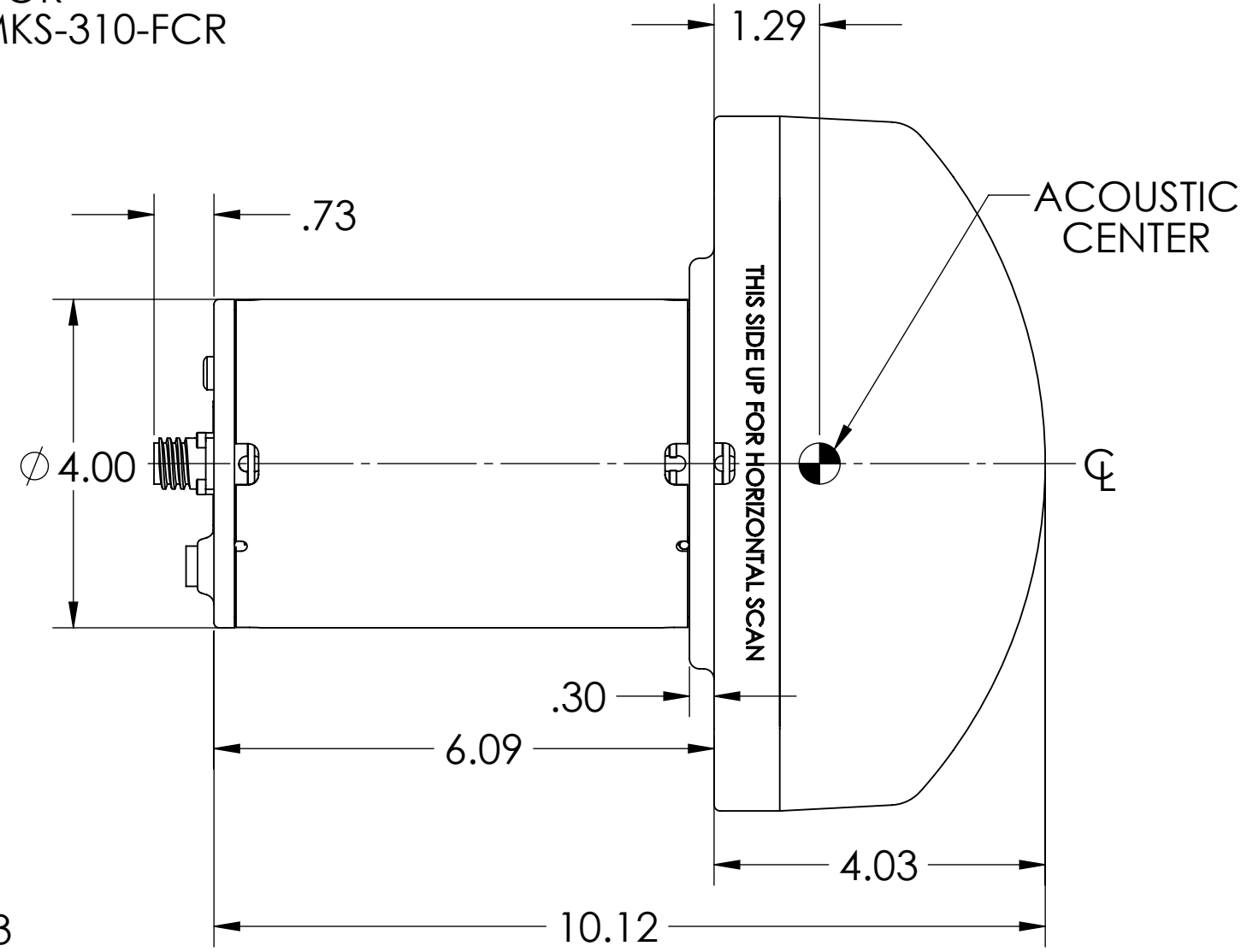
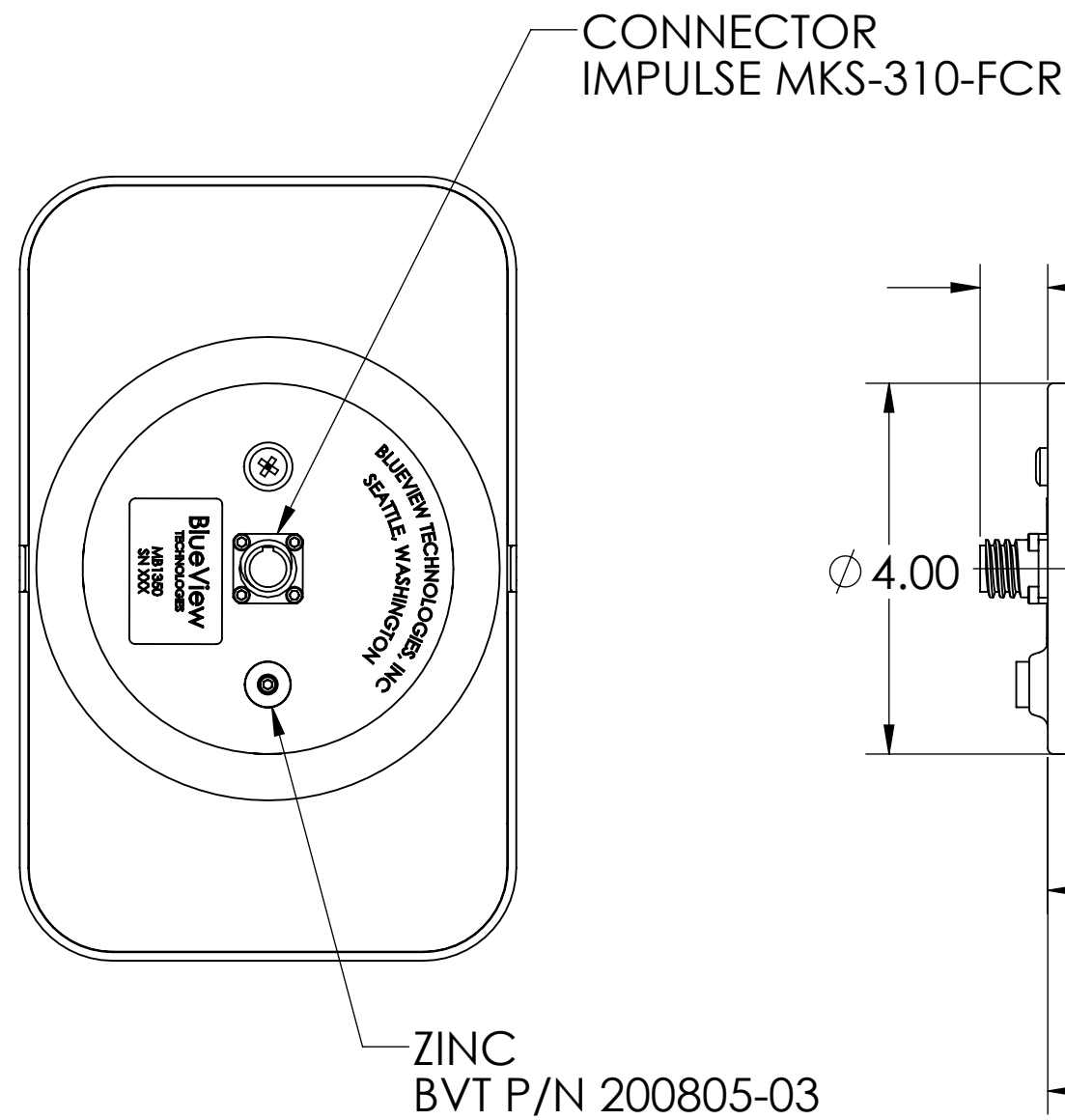


NOTES: UNLESS OTHERWISE SPECIFIED

| REVISIONS | | | | |
|-----------|------|------------------|-----------|------------|
| ZONE | REV. | DESCRIPTION | DATE | APPROVED |
| | X0 | INITIAL RELEASE. | 7/14/2009 | B. TWEHUES |



PROPRIETARY AND BUSINESS CONFIDENTIAL
ALL RIGHT RESERVED 2003-2008 ©, BLUEVIEW TECHNOLOGIES, INC

THE INFORMATION CONTAINED IN THIS DRAWING IS THE SOLE PROPERTY OF BLUEVIEW TECHNOLOGIES. ANY REPRODUCTION IN PART OR AS A WHOLE WITHOUT THE WRITTEN PERMISSION OF BLUEVIEW TECHNOLOGIES IS PROHIBITED.

| | | | | | |
|---|-----------|------|------|--|------------------|
| UNLESS OTHERWISE SPECIFIED: | | NAME | DATE | BLUEVIEW TECHNOLOGIES 2151 N NORTHLAKE WAY SUITE 101 SEATTLE, WASHINGTON 98103 | |
| DIMENSIONS ARE IN INCHES | DRAWN | | | TITLE: OUTLINE DRAWING, MB1350 | |
| TOLERANCES: ANGULAR: ± 1 .XX ± .01 .XXX ± .005 | CHECKED | | | SIZE | DWG. NO. |
| SURFACE: ✓ OR BETTER | ENG APPR. | | | C | 202818-00 |
| MATERIAL | MFG APPR. | | | REV | X0 |
| SEE NOTES | Q.A. | | | SCALE: 1:2 | WEIGHT: |
| FINISH | COMMENTS: | | | | SHEET 1 OF 1 |
| DO NOT SCALE DRAWING | | | | | |