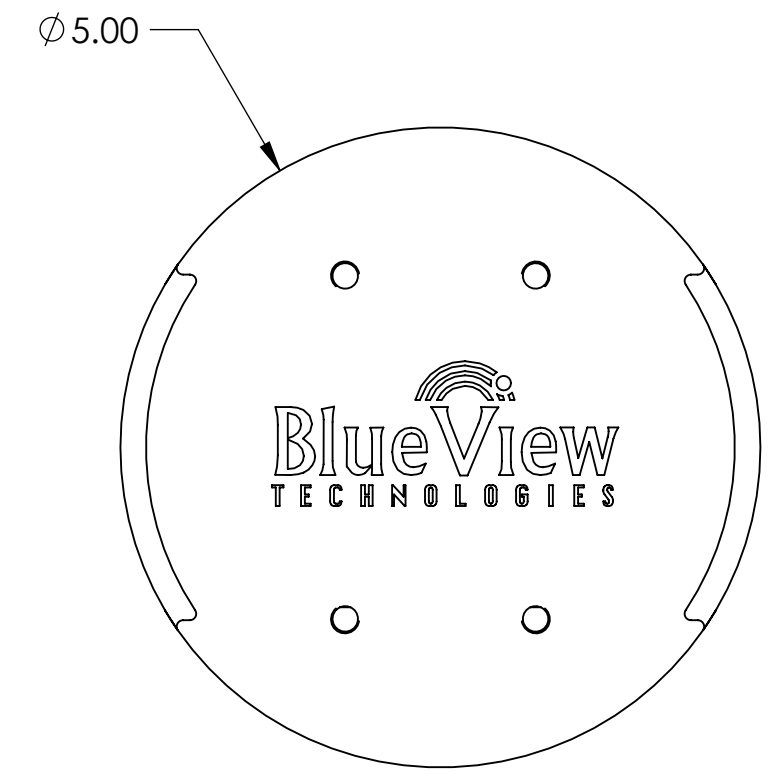
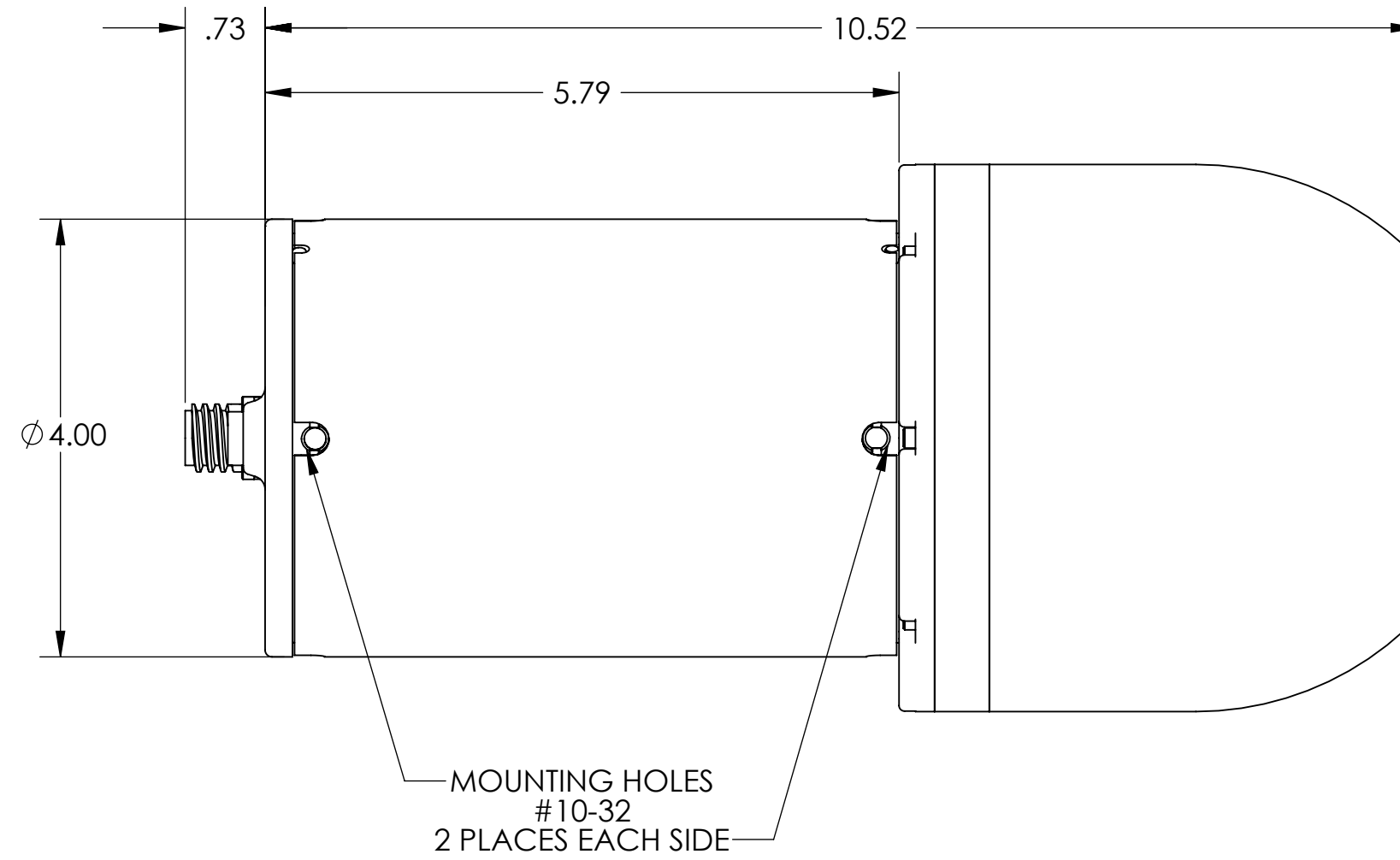
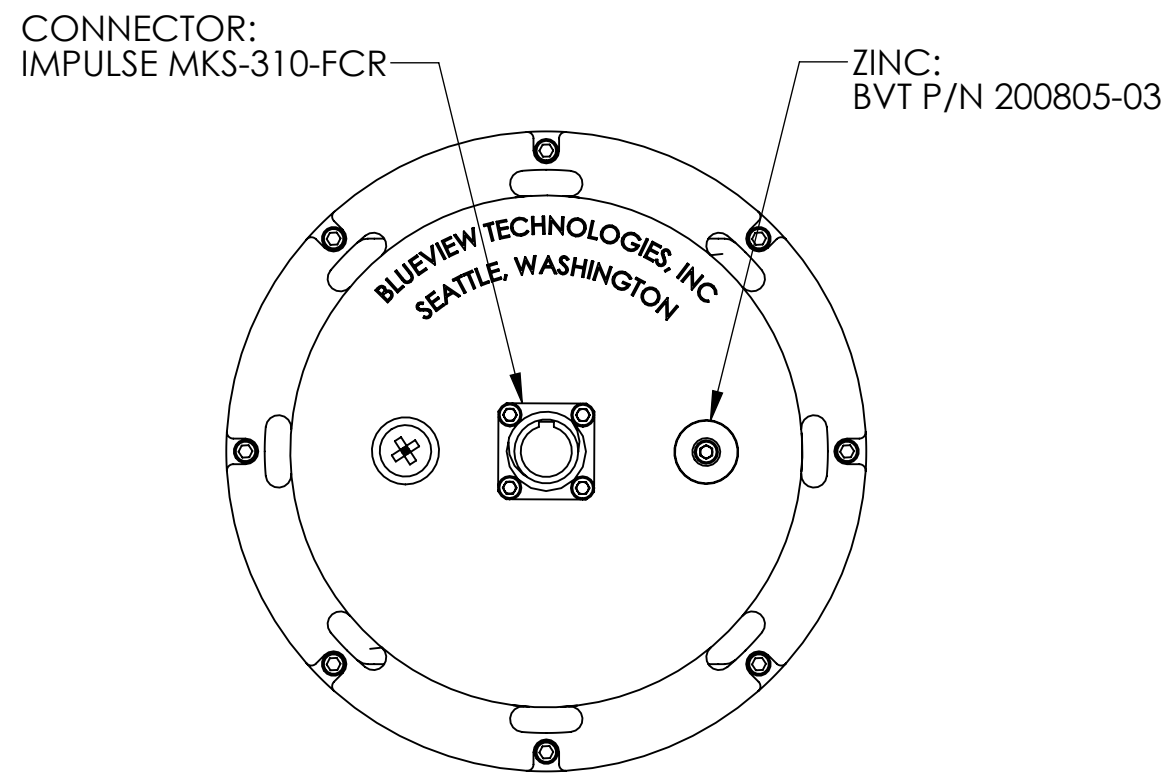
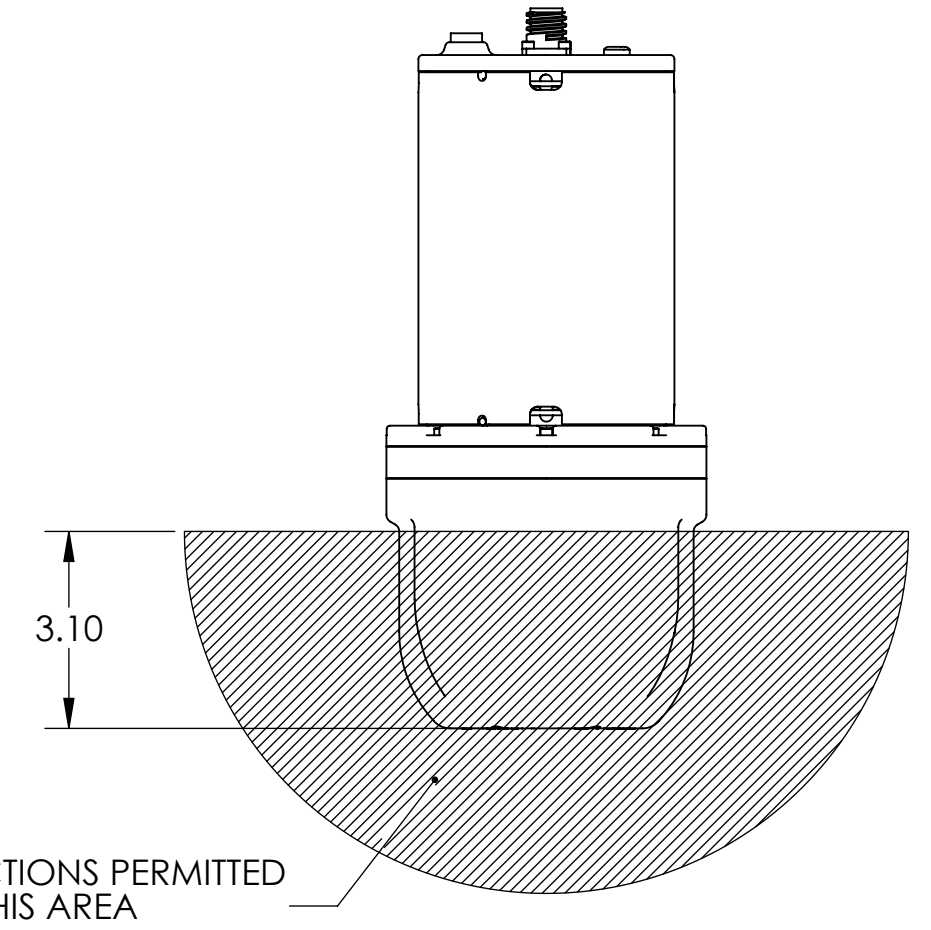
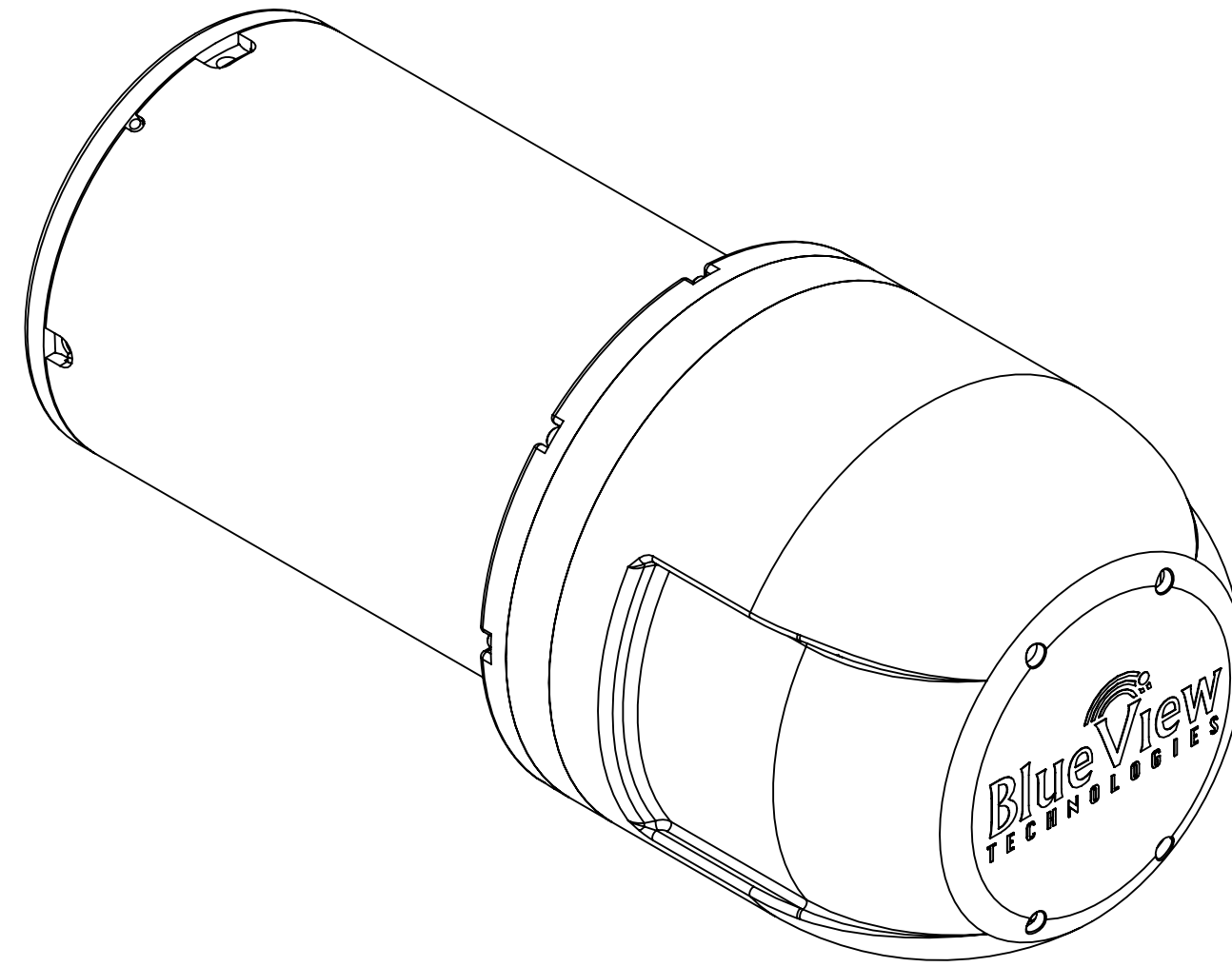


NOTES: UNLESS OTHERWISE SPECIFIED

1. DIMENSIONS ARE IN INCHES.

REVISIONS				
ZONE	REV.	DESCRIPTION	DATE	APPROVED
	-	INITIAL RELEASE.	9/30/2009	BRT



PROPRIETARY AND BUSINESS CONFIDENTIAL
ALL RIGHT RESERVED 2003-2009 ©, BLUEVIEW TECHNOLOGIES, INC

THE INFORMATION CONTAINED IN THIS DRAWING IS THE SOLE PROPERTY OF BLUEVIEW TECHNOLOGIES. ANY REPRODUCTION IN PART OR AS A WHOLE WITHOUT THE WRITTEN PERMISSION OF BLUEVIEW TECHNOLOGIES IS PROHIBITED.

UNLESS OTHERWISE SPECIFIED:		NAME	DATE	BLUEVIEW TECHNOLOGIES 2151 N NORTHLAKE WAY SUITE 101 SEATTLE, WASHINGTON 98103	
DIMENSIONS ARE IN INCHES		DRAWN		TITLE: OUTLINE DRAWING	
TOLERANCES:	SURFACE:	CHECKED		SIZE DWG. NO. REV	
ANGULAR: ±1	√ OR BETTER	ENG APPR.		C 202868-01 -	
.XX ±.01		MFG APPR.		SCALE: 1:1.5 WEIGHT: SHEET 1 OF 1	
.XXX ±.005		Q.A.			
MATERIAL	SEE NOTES	COMMENTS:			
FINISH	SEE NOTES				
DO NOT SCALE DRAWING					