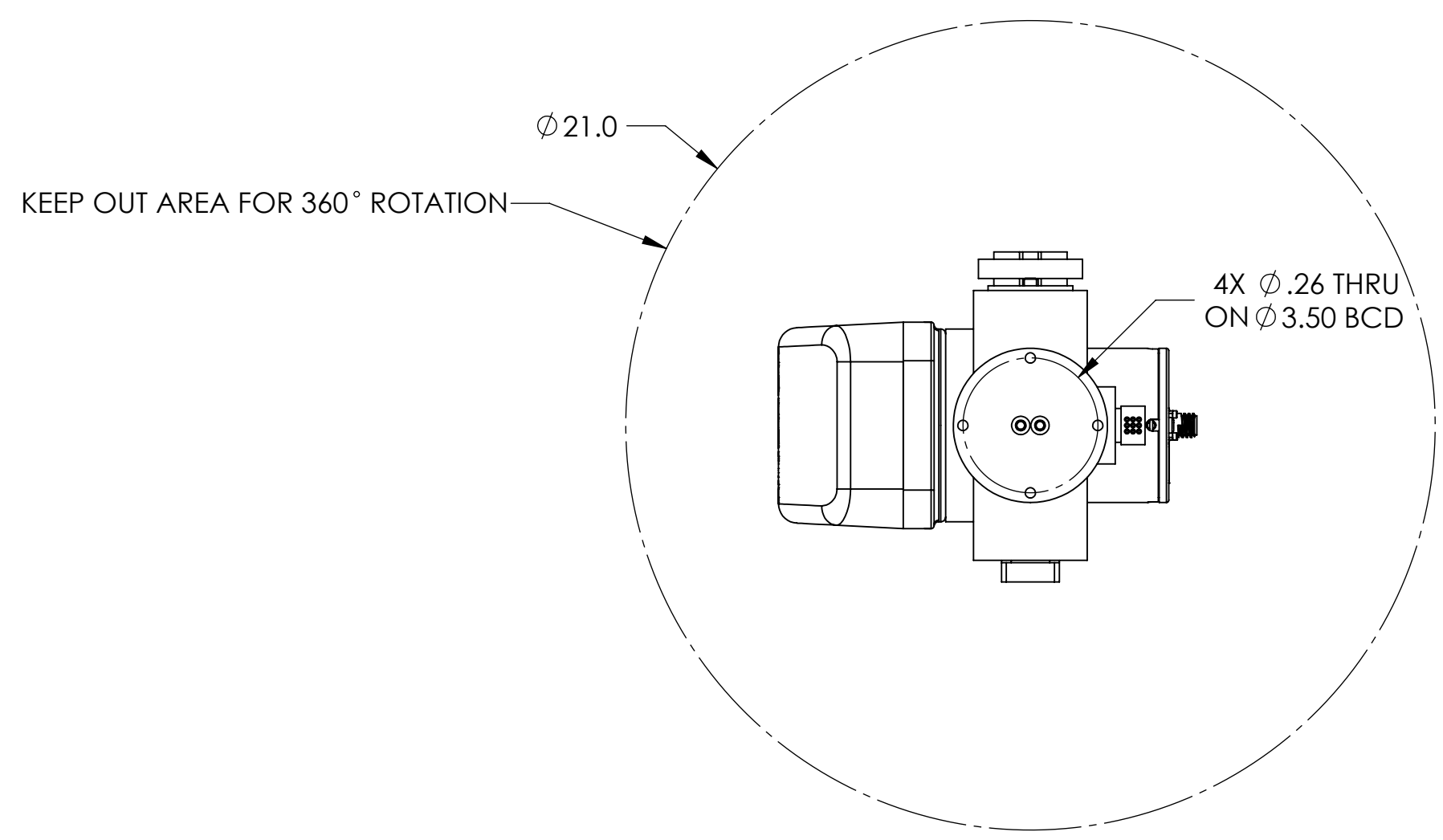
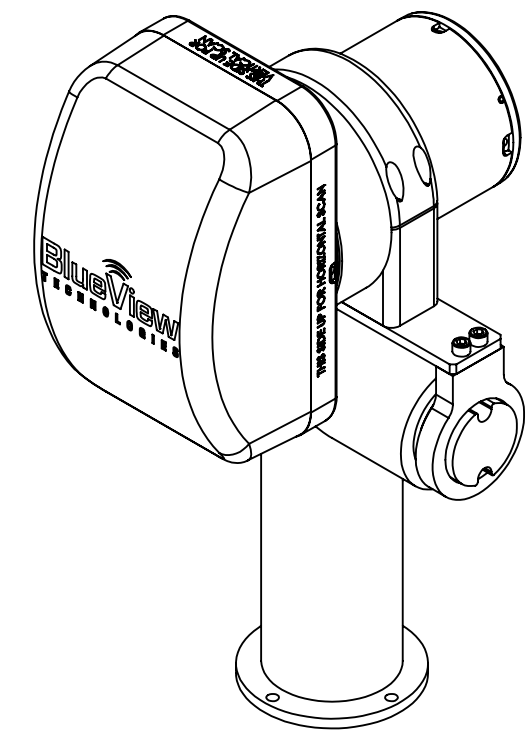
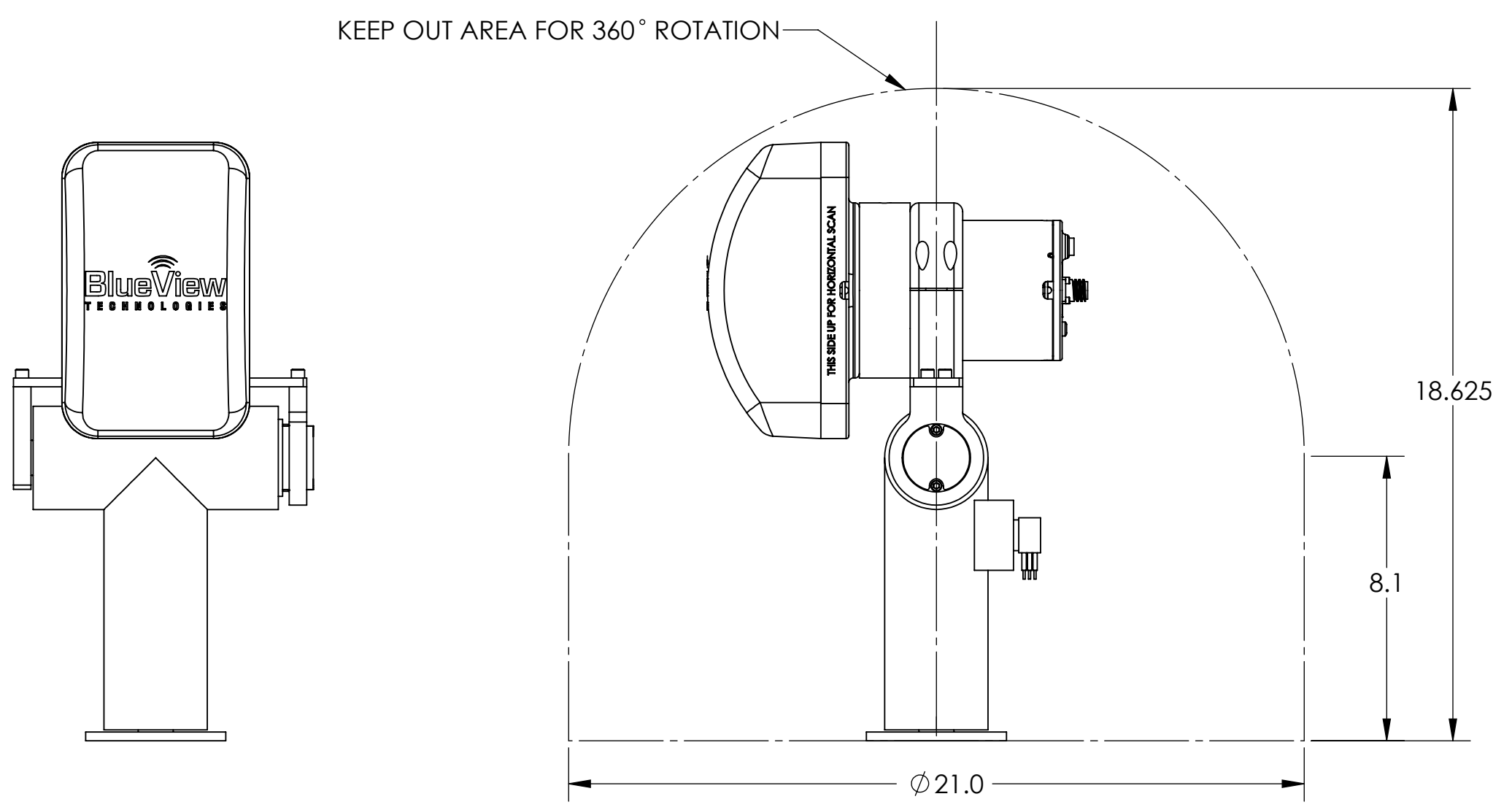


REVISIONS				
ZONE	REV.	DESCRIPTION	DATE	APPROVED
	A	INITIAL RELEASE.	2/24/2010	B. TWEHUES



PROPRIETARY AND BUSINESS CONFIDENTIAL
ALL RIGHT RESERVED 2003-2010 ©, BLUEVIEW TECHNOLOGIES, INC

THE INFORMATION CONTAINED IN THIS DRAWING IS THE SOLE PROPERTY OF BLUEVIEW TECHNOLOGIES. ANY REPRODUCTION IN PART OR AS A WHOLE WITHOUT THE WRITTEN PERMISSION OF BLUEVIEW TECHNOLOGIES IS PROHIBITED.

UNLESS OTHERWISE SPECIFIED:		NAME	DATE	BLUEVIEW TECHNOLOGIES 2151 N NORTHLAKE WAY, STE 101 SEATTLE, WASHINGTON 98103	
DIMENSIONS ARE IN INCHES	DRAWN			TITLE: OUTLINE DRAWING, BV5000-1350	
TOLERANCES: ANGULAR: ± 1 TWO PLACE DECIMAL ±.01 THREE PLACE DECIMAL ±.005	CHECKED				
MATERIAL	ENG APPR.				
SEE NOTES	MFG APPR.				
FINISH	SEE NOTES	COMMENTS:		SIZE	DWG. NO.
DO NOT SCALE DRAWING				C	202965-00
				SCALE: 1:4	WEIGHT:
					SHEET 1 OF 1