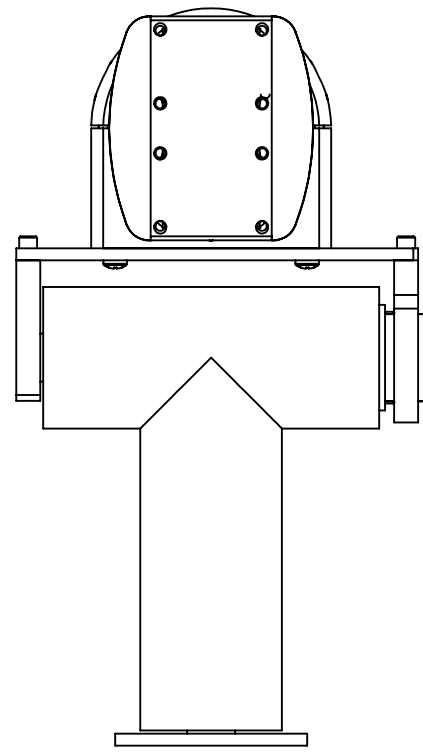
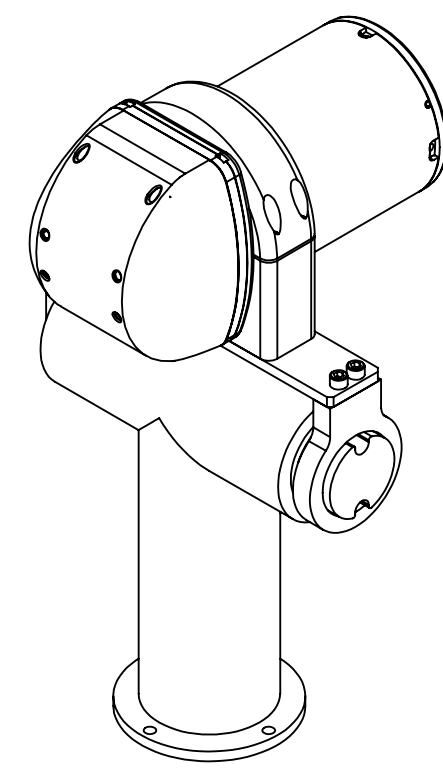
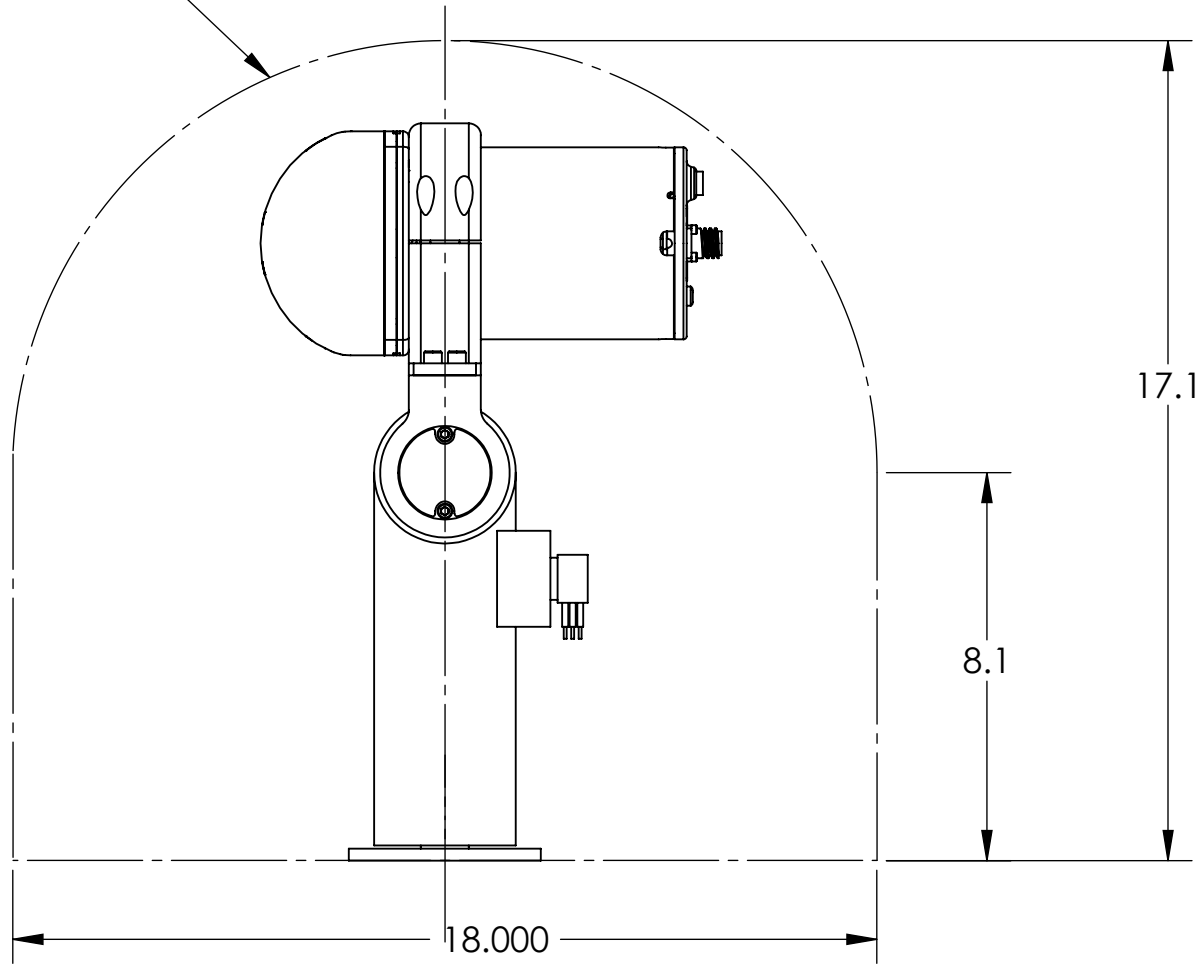


REVISIONS				
ZONE	REV.	DESCRIPTION	DATE	APPROVED
	A	INITIAL RELEASE.	2/25/2010	B. TWEHUES

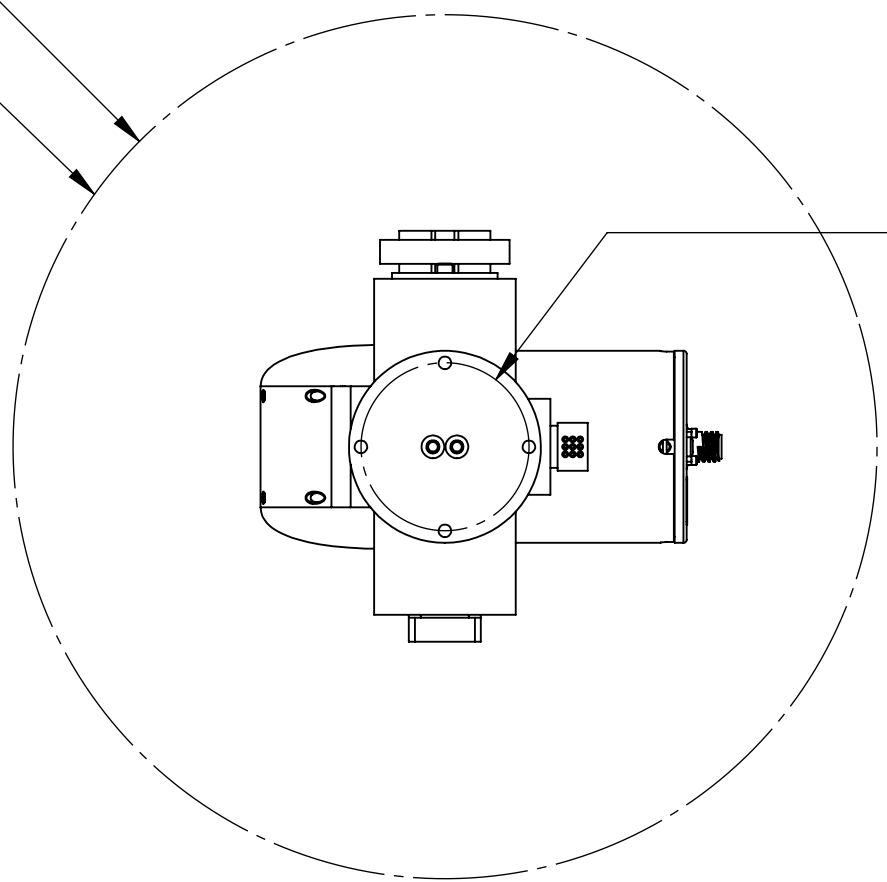


KEEP OUT AREA FOR 360° ROTATION



KEEP OUT AREA FOR 360° ROTATION

Ø 18.0



4X Ø.26 THRU  
ON Ø 3.50 BCD

**PROPRIETARY AND BUSINESS CONFIDENTIAL**  
**ALL RIGHT RESERVED 2003-2010 ©, BLUEVIEW TECHNOLOGIES, INC**

THE INFORMATION CONTAINED IN THIS DRAWING IS THE SOLE PROPERTY OF BLUEVIEW TECHNOLOGIES. ANY REPRODUCTION IN PART OR AS A WHOLE WITHOUT THE WRITTEN PERMISSION OF BLUEVIEW TECHNOLOGIES IS PROHIBITED.

UNLESS OTHERWISE SPECIFIED:		NAME	DATE	BLUEVIEW TECHNOLOGIES 2151 N NORTHLAKE WAY SUITE 101 SEATTLE, WASHINGTON 98103	
DIMENSIONS ARE IN INCHES		DRAWN		TITLE: <b>OUTLINE DRAWING, BV5000-2250</b>	
TOLERANCES:		CHECKED			
ANGULAR: ± 1	SURFACE:  OR BETTER	ENG APPR.			
.XX ±.01		MFG APPR.			
.XXX ±.005		Q.A.		SIZE DWG. NO. REV <b>C 202966-00 A</b>	
MATERIAL	SEE NOTES	COMMENTS:		SCALE: 1:4 WEIGHT: SHEET 1 OF 1	
FINISH	SEE NOTES				
DO NOT SCALE DRAWING					